

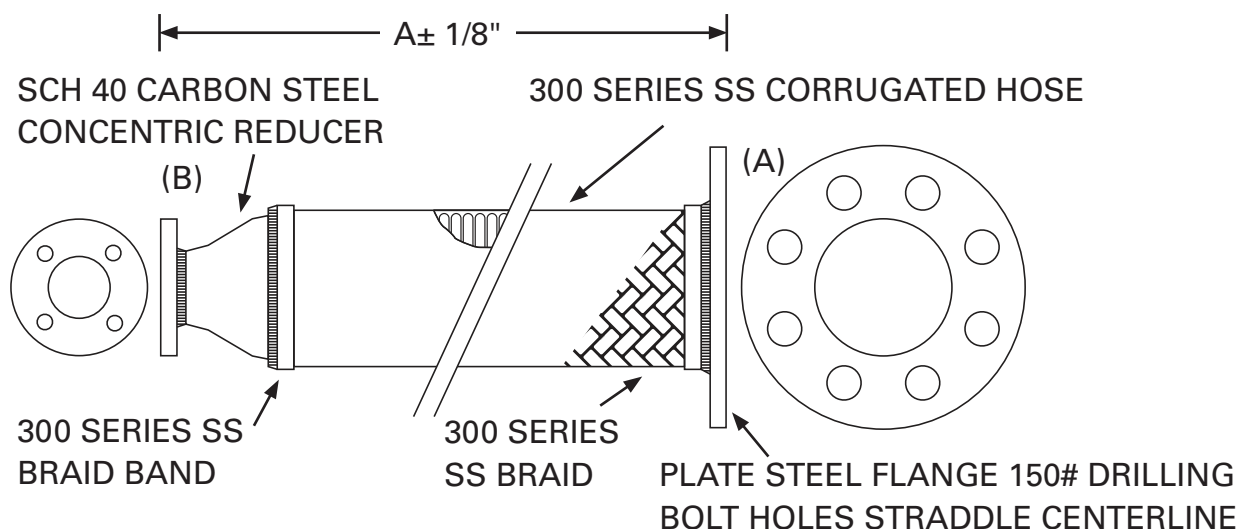


HVAC ACCESSORIES

MINNESOTA FLEXIBLE CORPORATION

305 Bridgepoint Drive #400 | South Saint Paul, MN 55075 | Tel: 651.645.7522 | 800.351.9069 | Fax: 651-645-8259 | www.mfchose.com | info@mnflex.com

PROJECT	
CUSTOMER	
ENGINEER	
REPRESENTATIVE	
DRAWING #	



Model No.	Fitting (A)	Fitting (B)	O.A.L.	Max W.P. @ 70° F*	Max Test*	Lateral Offset	Notes
B2.52 - 3/4"	2 1/2"	2"	24 1/2"	387	581	3/4"	
B32 - 3/4"	3"	2"	25 1/2"	316	474	3/4"	
B32.5 - 3/4"	3"	2 1/2"	25 1/2"	316	474	3/4"	
B42 - 3/4"	4"	2"	27"	232	348	3/4"	
B42.5 - 3/4"	4"	2 1/2"	27"	232	348	3/4"	
B43 - 3/4"	4"	3"	27"	232	348	3/4"	
B52 - 3/4"	5"	2"	30"	191	286	3/4"	
B53 - 3/4"	5"	3"	30"	191	286	3/4"	
B54 - 3/4"	5"	4"	30"	191	286	3/4"	
B63 - 3/4"	6"	3"	32 1/2"	133	199	3/4"	
B64 - 3/4"	6"	4"	32 1/2"	133	199	3/4"	
B65 - 3/4"	6"	5"	32 1/2"	133	199	3/4"	
B84 - 3/4"	8"	4"	34"	234	350	3/4"	
B85 - 3/4"	8"	5"	34"	234	350	3/4"	
B86 - 3/4"	8"	6"	34"	234	350	3/4"	
B106 - 3/4"	10"	6"	41"	230	344	3/4"	
B108 - 3/4"	10"	8"	41"	230	344	3/4"	

FLEXIDUCER 3/4" OFFSET - FLANGE X FLANGE

*Pressures listed have been reduced 20% to account for method of attachment