

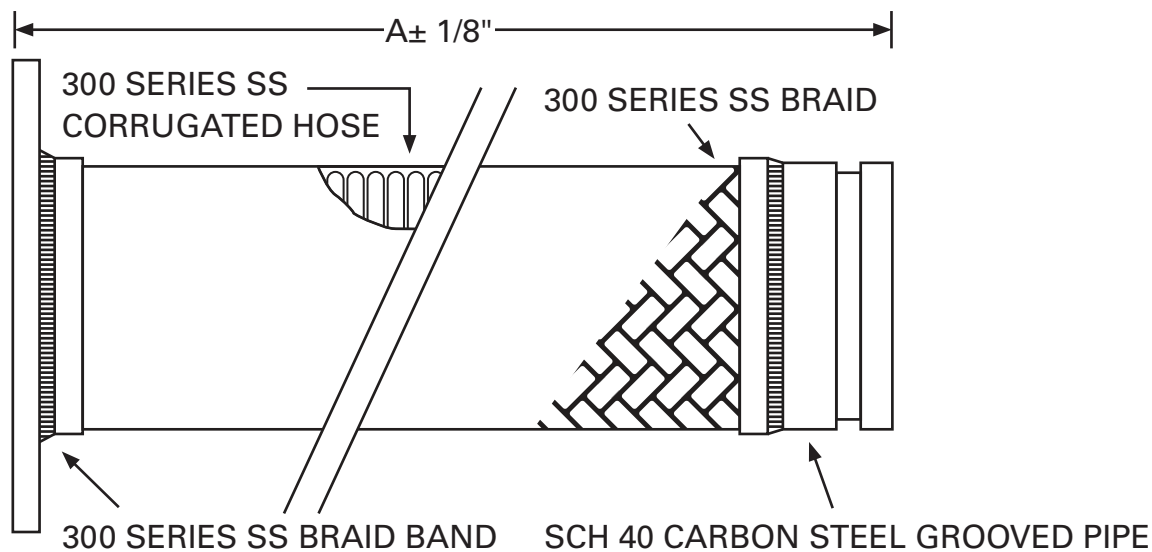


# HVAC ACCESSORIES

## MINNESOTA FLEXIBLE CORPORATION

305 Bridgepoint Drive #400 | South Saint Paul, MN 55075 | Tel: 651.645.7522 | 800.351.9069 | Fax: 651-645-8259 | www.mfchose.com | info@mnflex.com

PROJECT	
CUSTOMER	
ENGINEER	
REPRESENTATIVE	
DRAWING #	



QTY	I.D. (in)	O.A.L (in)	Weight (lb)	Max W.P. (PSI) @ 70° F*	Max Test*	Notes
	2	12	11	518	778	
	2 1/2	12	14	387	581	
	3	12	15	316	474	
	4	12	22	232	348	
	5	14	29	191	286	
	6	14	36	133	199	
	8	16	60	234	350	
	10	17	85	230	344	
	12	17	120	161	241	

**GFC - FLANGE X GROOVE**

\*Pressures listed have been reduced 20% to account for method of attachment