

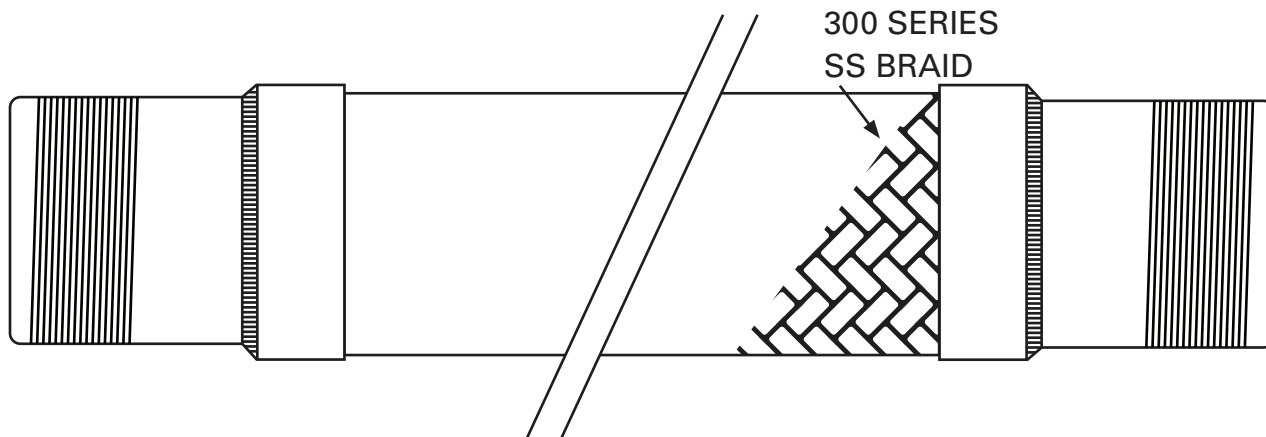


HVAC ACCESSORIES

MINNESOTA FLEXIBLE CORPORATION

305 Bridgepoint Drive #400 | South Saint Paul, MN 55075 | Tel: 651.645.7522 | 800.351.9069 | Fax: 651-645-8259 | www.mfchose.com | info@mnflex.com

PROJECT	
CUSTOMER	
ENGINEER	
REPRESENTATIVE	
DRAWING #	



QTY	I.D. (in)	O.A.L (in)	Weight (lb)	Max W.P. (PSI) @ 70° F*	Max Test*	Notes
	1/2"	6 1/2"	1	1,075	1,613	
	3/4"	7"	1	792	1,188	
	1"	8"	1	571	857	
	1 1/4"	8 1/2"	1	531	797	
	1 1/2"	9"	2	472	708	
	2"	10 1/2"	2	518	778	
	2 1/2"	12"	5	387	581	
	3"	14"	8	316	474	
	4"	16"	10	232	348	

MFC - MNPT X MNPT

*Pressures listed have been reduced 20% to account for method of attachment