

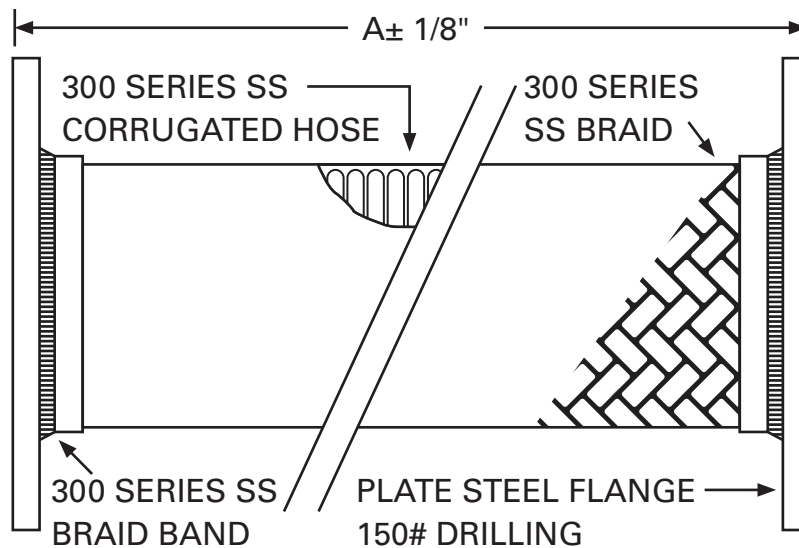


HVAC ACCESSORIES

MINNESOTA FLEXIBLE CORPORATION

305 Bridgepoint Drive #400 | South Saint Paul, MN 55075 | Tel: 651.645.7522 | 800.351.9069 | Fax: 651-645-8259 | www.mfchose.com | info@mnflex.com

PROJECT	
CUSTOMER	
ENGINEER	
REPRESENTATIVE	
DRAWING #	



QTY	I.D. (in)	O.A.L (in)	Weight (lb)	Max W.P. (PSI) @ 70° F*	Max Test*	Lateral Offset	Notes
	2	18	10	518	778	3/4"	
	2 1/2	21	13	387	581	3/4"	
	3	22	15	316	474	3/4"	
	4	23	21	232	348	3/4"	
	5	25	31	191	286	3/4"	
	6	27	37	133	199	3/4"	
	8	28	65	234	350	3/4"	
	10	34	90	230	344	3/4"	
	12	38	140	161	241	3/4"	

FFC - FLANGE X FLANGE 3/4" OFFSET

*Pressures listed have been reduced 20% to account for method of attachment