

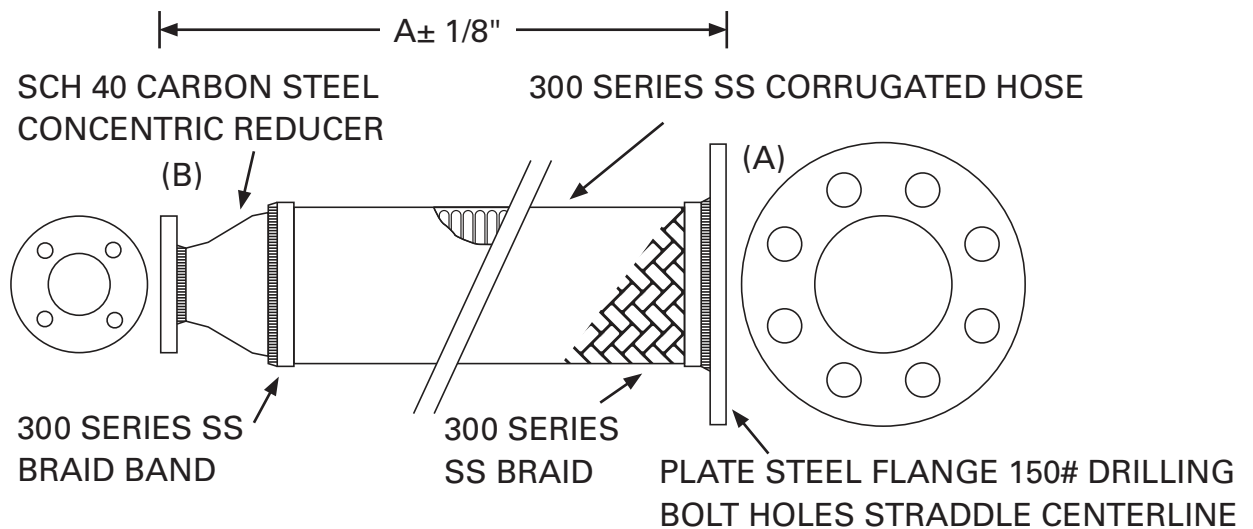


HVAC ACCESSORIES

MINNESOTA FLEXIBLE CORPORATION

305 Bridgepoint Drive #400 | South Saint Paul, MN 55075 | Tel: 651.645.7522 | 800.351.9069 | Fax: 651-645-8259 | www.mfchose.com | info@mnflex.com

PROJECT	
CUSTOMER	
ENGINEER	
REPRESENTATIVE	
DRAWING #	



Model No.	Fitting (A)	Fitting (B)	O.A.L.	Live Length	Max W.P. @ 70° F*	Max Test*	Ship Wt. (lb)
B1210	12"	10"	22"	10"	161	241	130
B108	10"	8"	21"	10"	230	344	92
B106	10"	6"	20 3/4"	10"	230	344	86
B86	8"	6"	19 3/4"	10"	234	350	66
B85	8"	5"	19 3/4"	10"	234	350	56
B84	8"	4"	19 5/8"	10"	234	350	50
B65	6"	5"	19"	10"	133	199	41
B64	6"	4"	18 7/8"	10"	133	199	36
B63	6"	3"	18 7/8"	10"	133	199	34
B54	5"	4"	18 3/8"	10"	191	286	30
B53	5"	3"	18 3/8"	10"	191	286	28
B52	5"	2"	18 3/8"	10"	191	286	26
B43	4"	3"	17 1/4"	10"	232	348	24
B42 1/2	4"	2 1/2"	17 1/4"	10"	232	348	22
B42	4"	2"	17 1/4"	10"	232	348	20
B32 1/2	3"	2 1/2"	16 3/4"	10"	316	474	10
B32	3"	2"	16 3/4"	10"	316	474	9
B2 1/2 2	2 1/2"	2"	16 3/4"	10"	387	581	9

FLEXIDUCER - FLANGE X FLANGE

*Pressures listed have been reduced 20% to account for method of attachment